

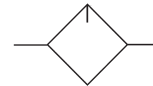
Lubricator

AL1000~5000 Series



● Specifications

● Symbol



Fluid	Air
Proof pressure	1.5MPa(15kgf/cm ²)
Max.operating pressure	1.0MPa(10kgf/cm ²)
Ambient and fluid temperature	5~60°C
Recommended lubricant	Class 1 turbine oil (ISO VG32)
Bowl material	PC K1300
Bowl guard	AL1000~2000 (Not available) AL3000~5000 (Available)

Model	Specifications					Accessories
	*Min. dripping flow rate (L/min)	*Rated flow (L/min)	**Port size (G)	Oil capacity (CM ³)	Weight (kg)	Bracket
AL1000-M5	4	95	M5	7	0.07	-
AL2000-01	15	800	1/8	25	0.22	B240
AL2000-02			1/4			
AL3000-02	30	1700	1/4	50	0.30	B340
AL3000-03	40		3/8			
AL4000-03	40	5000	3/8	130	0.56	B440
AL4000-04	50		1/2			
AL4000-06	50	6300	3/4	130	0.58	B540
AL5000-06	190	7000	3/4	130	1.08	B640
AL5000-10			1			

*Under the circumstance that the inlet pressure is 0.5MPa(5.1kgf/cm²), dripping flow rate is 5drops/minute,use of Class 1 turbine oil and 20°C temperature

*Under the circumstance that the inlet pressure is 0.5MPa (5.1kgf/cm²)and the set pressure is 0.03MPa (0.3kgf/cm²).

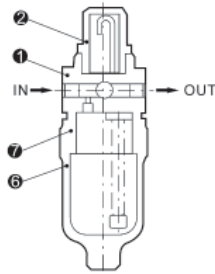
** Rc and NPT port sizes are available.

Lubricator

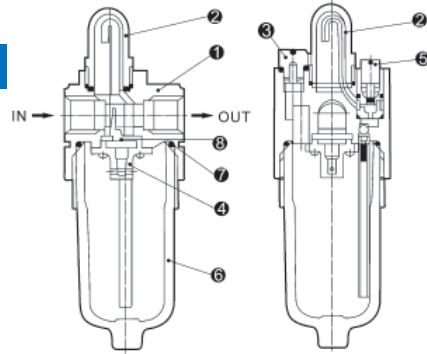
AL1000~5000 Series

Construction

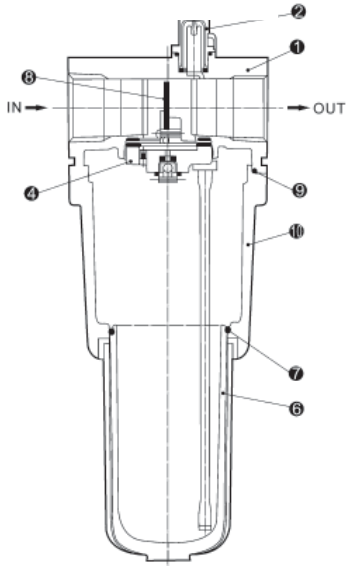
AL1000



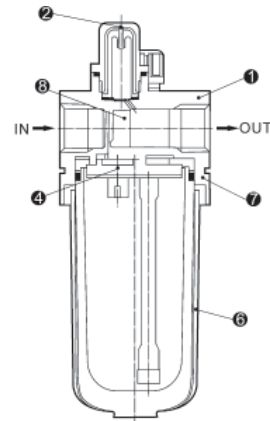
AL2000



AL5000



AL3000~4000



Component Parts

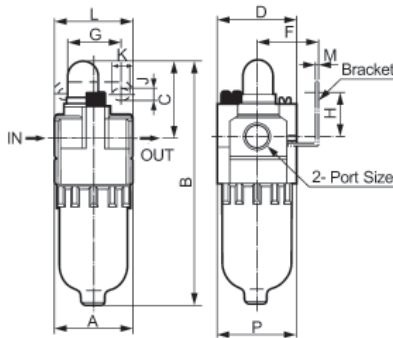
NO.	Descriptions	Material		
		AL1000	AL2000 ~ 4000	AL5000
1	Body	Zinc die-cast	Aluminum die-cast	
2	Sight dome assembly	Polycarbonate, Nylon		
3	Oil feed plug	POM		
4	Deflector gate	POM		
5	Oil adjusting handle	POM		
6	Bowl assembly (bowl guard)	Polycarbonate (Cold rolled steel), PC K1300(Cold rolled steel)		
7	O-ring	NBR		
8	Retainer	POM		
9	O-ring	NBR		
10	Middle part	Aluminum die-cast		

Lubricator

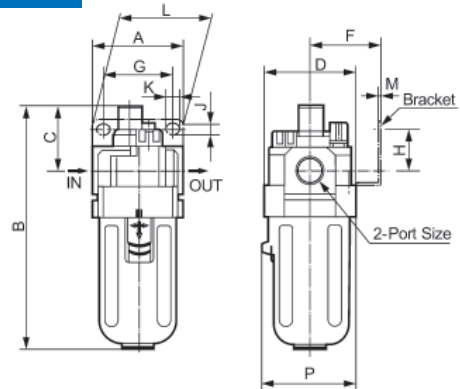
AL1000~5000 Series

● Dimensions

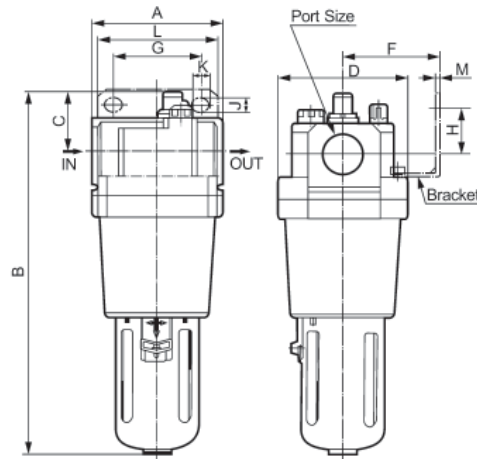
AL1000~2000



AL3000~4000



AL5000



Model	Port Size G	A	B	C	D	F	G	H	J	K	L	M	P
AL1000	M5	25	81.5	25.5	25	-	-	-	-	-	-	-	27
AL2000	1/8~1/4	40	122	38	40	30	27	22	5.4	8.4	40	2.3	40
AL3000	1/4~3/8	53	142	38	53	41	40	23	6.5	8	53	2.3	56
AL4000	3/8~1/2	70	177	41	70	50	54	26	8.5	10.5	70	2.3	73
AL4000-06	3/4	75	177	39	70	50	54	25	8.5	10.5	70	2.3	73
AL5000	3/4~1	90	254	45	90	66.5	66	35	11	13	90	3.2	90